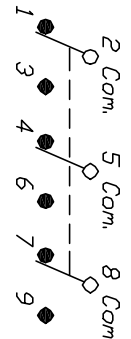
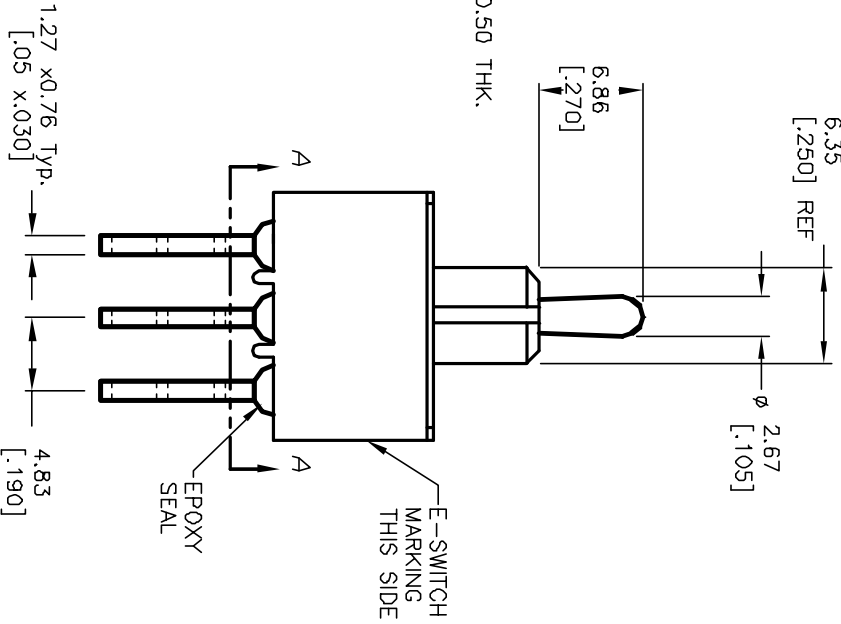
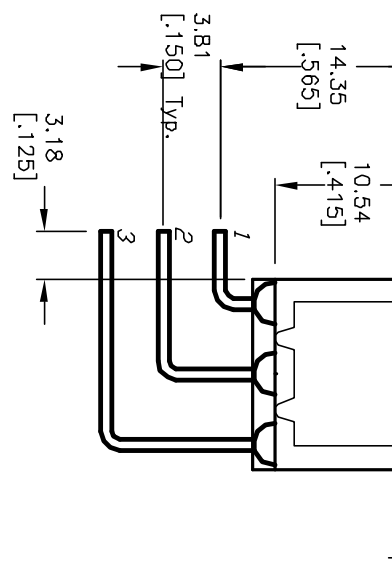
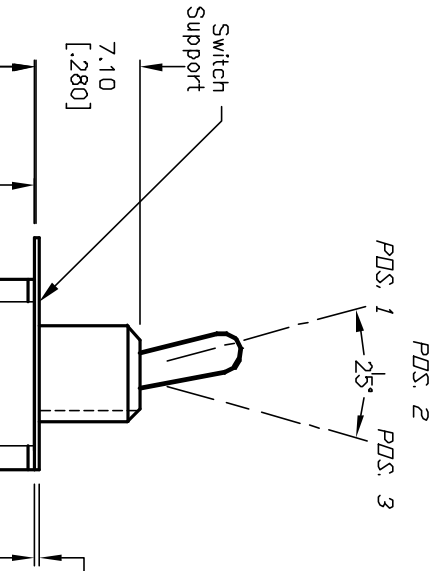


RECOMMENDED P.C.B. LAYOUT

SWITCH FUNCTION		
PDS. 1	PDS. 2	PDS. 3
DN	DN	DN
2-3,5-6	DN	2-1,5-4
8-9	DPEN	8-7



CIRCUIT: 3PDT

- NOTES:
1. ALL DIMENSIONS IN MM [INCH]
  2. GENERAL TOLERANCE: X.XX=±0.4 X.XX=±0.25
  3. TERMINAL NUMBERS FOR REF ONLY
  4. RATING: 5A @120VAC or 28VDC; 2A @250VAC.
  5. CONTACT MATERIAL:  
Copper Alloy W/SILVER Plate
  6. ELECTRIC LIFE: 50,000 make-and-break cycles at full load.
  7. INSULATION RESISTANCE: 1,000 Mega-ohm min.
  8. DIELECTRIC STRENGTH: 1,000 V RMS @sea level.
  9. OPERATING TEMP.: -30°C to 85°C

**E-SWITCH®**

A		12078	RELEASED FOR PRODUCTION	4/19/02	CJB	TITLE	100 3P-1 T2 B4 M7 Q E			
REV.	ECN No.	DESCRIPTION		DATE	CHKD	SCALE	DATE	DR	DWG	REV
		THE INFORMATION CONTAINED IN THIS DOCUMENT IS PROPRIETARY TO E-SWITCH AND IS NOT TO BE COPIED OR TRANSMITTED				2:1	4/19/02	CB	T131015	A